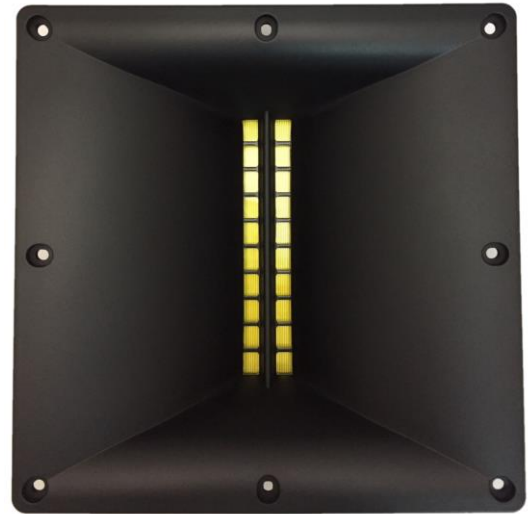


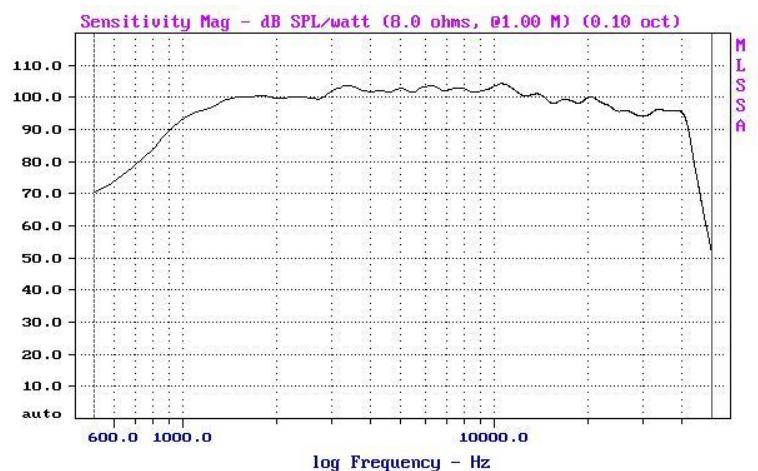
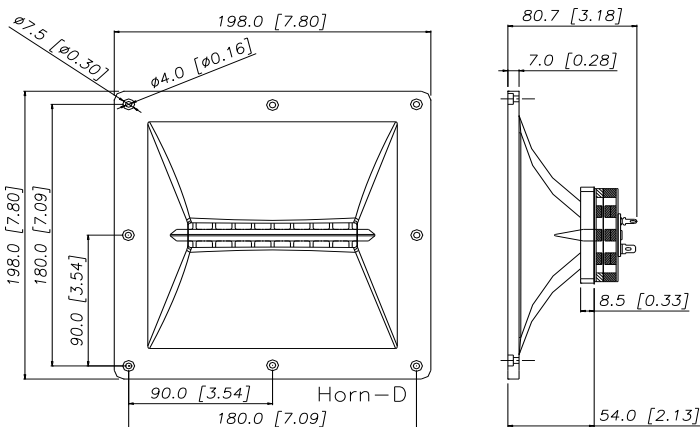
**Features:**

- Ribbon Tweeter
- 1K Hz to 40K Hz Response
- 102 dB Sensitivity
- 8 ohm Impedance
- Laminated Aluminum Diaphragm
- High Power Rating



**Specifications:**

Nominal Impedance	8 Ohm
Frequency Response	1K Hz ~ 40K Hz
Sensitivity	102 dB @ 1W/1m
Recommended Crossover	More than 1.5 K Hz
Power Handling	60 W Continuous / 3 <sup>rd</sup> Crossover, $Q \leq 0.707$
Diaphragm	Laminated Aluminum
Magnet	Nd-Fe-B
Weight	820 grams



**BESTON** technology Corporation

Office: Taipei, Taiwan

TEL: (886)-2-23892956 FAX: (886)-2-23892952

E-Mail: [service@ribbonspeaker.com.tw](mailto:service@ribbonspeaker.com.tw)

[www.ribbonspeaker.com.tw](http://www.ribbonspeaker.com.tw)