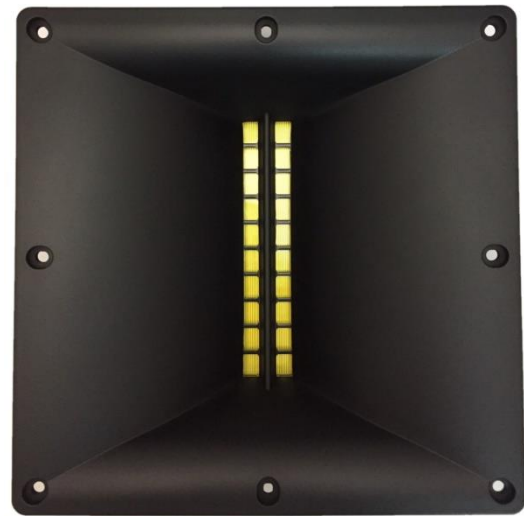


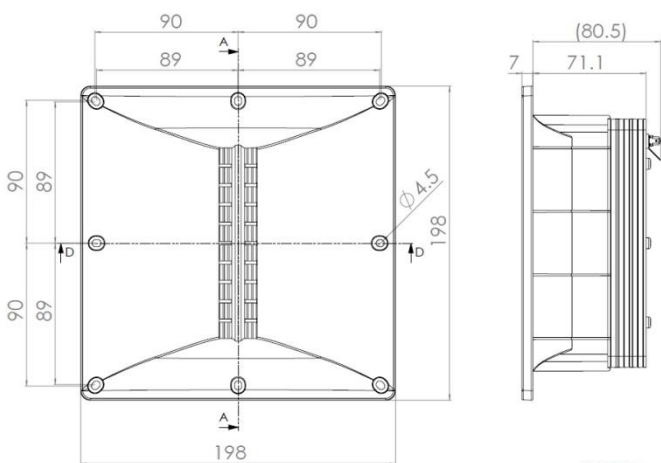
Features:

- Ribbon Tweeter
- 1K Hz to 40K Hz Response
- 102 dB Sensitivity
- 8 ohm Impedance
- Laminated Aluminum Diaphragm
- High Power Rating

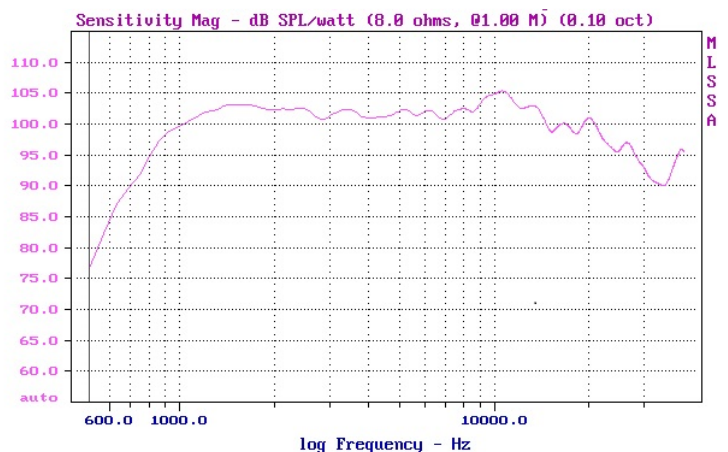


Specifications:

Nominal Impedance	8 Ohm
Frequency Response	1K Hz ~ 40K Hz
Sensitivity	102 dB @ 1W/1m
Recommended Crossover	More than 1.2 K Hz
Power Handling	60 W Continuous / 3 rd Crossover, $Q \leq 0.707$
Diaphragm	Kapton /AL /Kapton Laminated Diaphragm
Magnet	Nd-Fe-B
Weight	960 grams



201007



BESTON Technology Corporation

Office: Taipei, Taiwan

TEL: (886)-2-23892956 FAX: (886)-2-23892952

E-Mail: service@ribbonspeaker.com.tw

www.ribbonspeaker.com.tw