

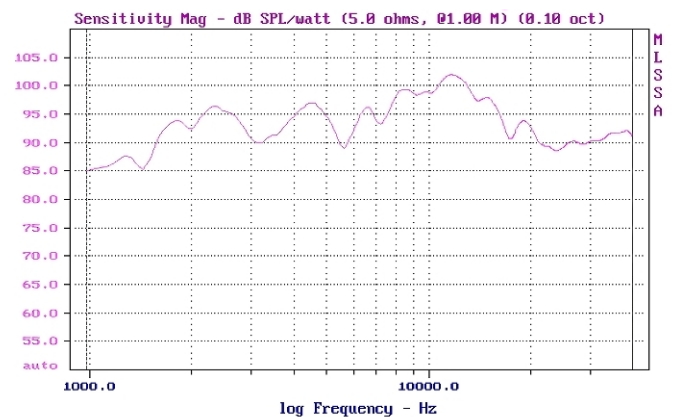
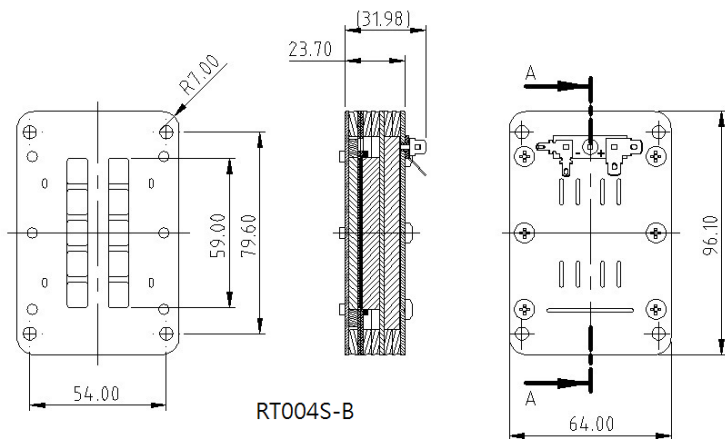
Features:

- Ribbon Driver
- 1.5K Hz to 40K Hz Response
- 94 dB Sensitivity
- 5 Ohm Impedance
- Laminated Aluminum Diaphragm
- High Power Rating



Specifications:

Nominal Impedance	5 Ohm
Frequency Response	1.5K Hz ~ 40K Hz
Sensitivity	94 dB @ 1W/1m
Recommended Crossover	More than 1.8 K Hz
Power Handling	60 W Continuous / 3 rd Crossover, $Q \leq 0.707$
Diaphragm	Laminated Aluminum
Magnet	Nd-Fe-B
Weight	390 grams



CAD240425

BESTON Technology Corporation

Office: Taipei, Taiwan

TEL: (886)-2-23892956 FAX: (886)-2-23892952

E-Mail: service@ribbonspeaker.com.tw

www.ribbonspeaker.com.tw